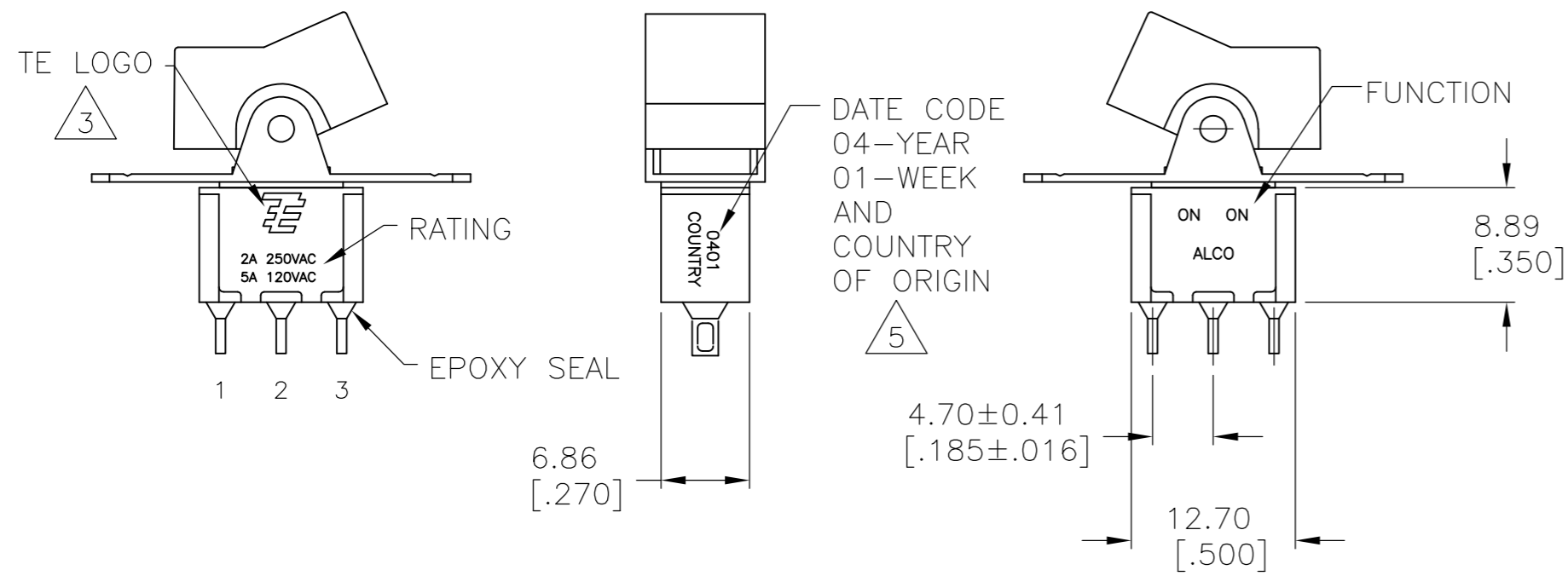


THIS DRAWING IS UNPUBLISHED. RELEASED FOR PUBLICATION
 © COPYRIGHT - By - ALL RIGHTS RESERVED.

| LOC | | DIST | | REVISIONS | | | |
|-----|-----|-------------|--|---------------------------|-----------|------|----|
| P | LTR | DESCRIPTION | | DATE | DWN | APVD | |
| AD | 00 | A9 | | REVISED PER ECO-14-005988 | 23APR2014 | NK | RH |



- ALL MATERIALS AND FINISHES SHALL COMPLY WITH EU DIRECTIVE 2002/95/EC OF 27JAN2003 (ROHS).
 - G CONTACT OPTION CAN BE USED FOR SIGNAL OR POWER LEVEL SWITCHING. IF SWITCH IS USED AT LEVELS EXCEEDING .4VA @ 20V AC/DC, SWITCH IS RENDERED FOR POWER SWITCHING ONLY DUE TO ARC REMOVAL OF GOLD PLATING. RATING MARKED ON SWITCH IS 2A 250VAC, 5A 120VAC.
- △3 TE CONNECTIVITY LOGO PER PER TEC-202-36.
- △5 DATE CODE AND COUNTRY OF ORIGIN MAY APPEAR ON EITHER SIDE OF SWITCH.
- 6 PANEL MOUNT BRACKET SUPPLIED WITH TERMINALS W, Z AND Z3 ONLY.
- △7 ACTUATOR MARKED -
- △8 ACTUATOR MARKED -
- △9 ACTUATOR MARKED -
- 10 ALL LOGO, RATING, DATE CODE, AND FUNCTION MARKINGS TO BE LASER MARKED.

FUNCTION CHART

| FUNCTION | 1 2 3 | 1 2 3 | 1 2 3 |
|---------------------|-------|-------|-------|
| 01 | ON | NONE | ON |
| 03 | ON | OFF | ON |
| 05 | (ON) | OFF | (ON) |
| 07 | ON | OFF | (ON) |
| 08 | ON | NONE | (ON) |
| TERMINALS CONNECTED | 2-3 | --- | 1-2 |

NONE: NO MECHANICAL POSITION
 OFF: MECHANICAL POSITION WITH NO ELECTRICAL CONNECTION
 (ON): MOMENTARY ACTION

SPECIFICATIONS

| | |
|---------------------------------|--|
| RATING, B CONTACTS | .4VA MAX @20V MAX. AC OR DC |
| RATING, G CONTACTS-SEE NOTE 2 | .4VA MAX @20V MAX. AC OR DC OR |
| | 5A @120 VAC OR 28 VDC (RESISTIVE) |
| RATING, Q CONTACTS | 2A @250 VAC (RESISTIVE) |
| | 5A @120 VAC OR 28 VDC (RESISTIVE) |
| ELECTRICAL LIFE | 6,000 CYCLES AT RATED LOAD |
| CONTACT RESISTANCE | 10 MILLIOHMS MAX INITIAL @ 2-4VDC, 100MA |
| INSULATION RESISTANCE | 1,000 MEGOHMS MIN |
| DIELECTRIC WITHSTANDING VOLTAGE | 1,000 V RMS AT SEA LEVEL |
| OPERATING TEMPRATURE | -30C TO 85C |

PART NUMBER SEQUENCE CHART

| MODEL | FUNCTION | ACTUATOR | TERMINAL | CONTACT | ACTUATOR COLOR | BEZEL COLOR | ROHS |
|-------|----------|----------|----------|---------|----------------|---------------|------|
| A1 | | | | | | | 04 |
| | 01 | J1 | A | B | 0 BLACK (STD) | 0 BLACK (STD) | |
| | 03 | J3 | AV2 | G | 1 BROWN | 1 BROWN | |
| | 05 | J50 | C | Q | 2 RED | 2 RED | |
| | 07 | J51 | V3 | | 3 ORANGE | 3 ORANGE | |
| | 08 | J52 | V4 | | 4 YELLOW | 4 YELLOW | |
| | | J2 | V6 | | 5 GREEN | 5 GREEN | |
| | | J4 | V7 | | 6 BLUE | 6 BLUE | |
| | | J60 | W | | 8 GRAY | 8 GRAY | |
| | | J61 | W4 | | 9 WHITE | 9 WHITE | |
| | | J62 | Z | | | | |
| | | | Z3 | | | | |

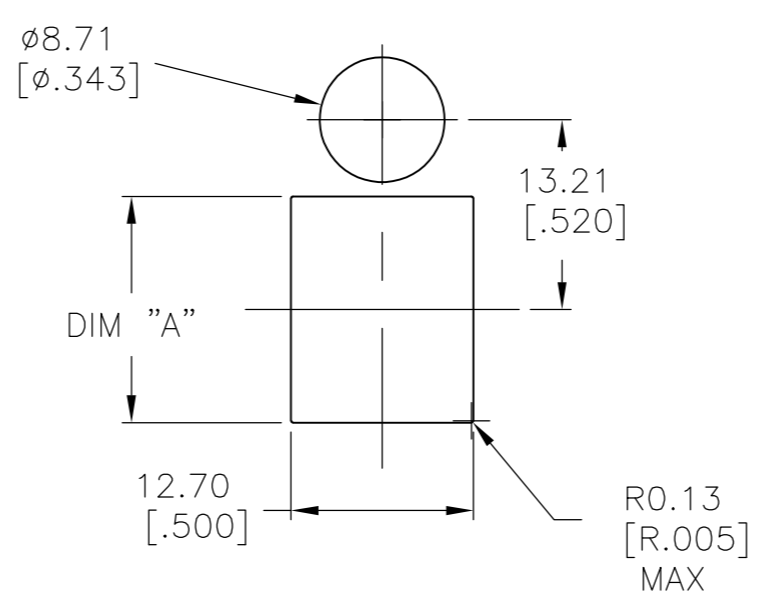
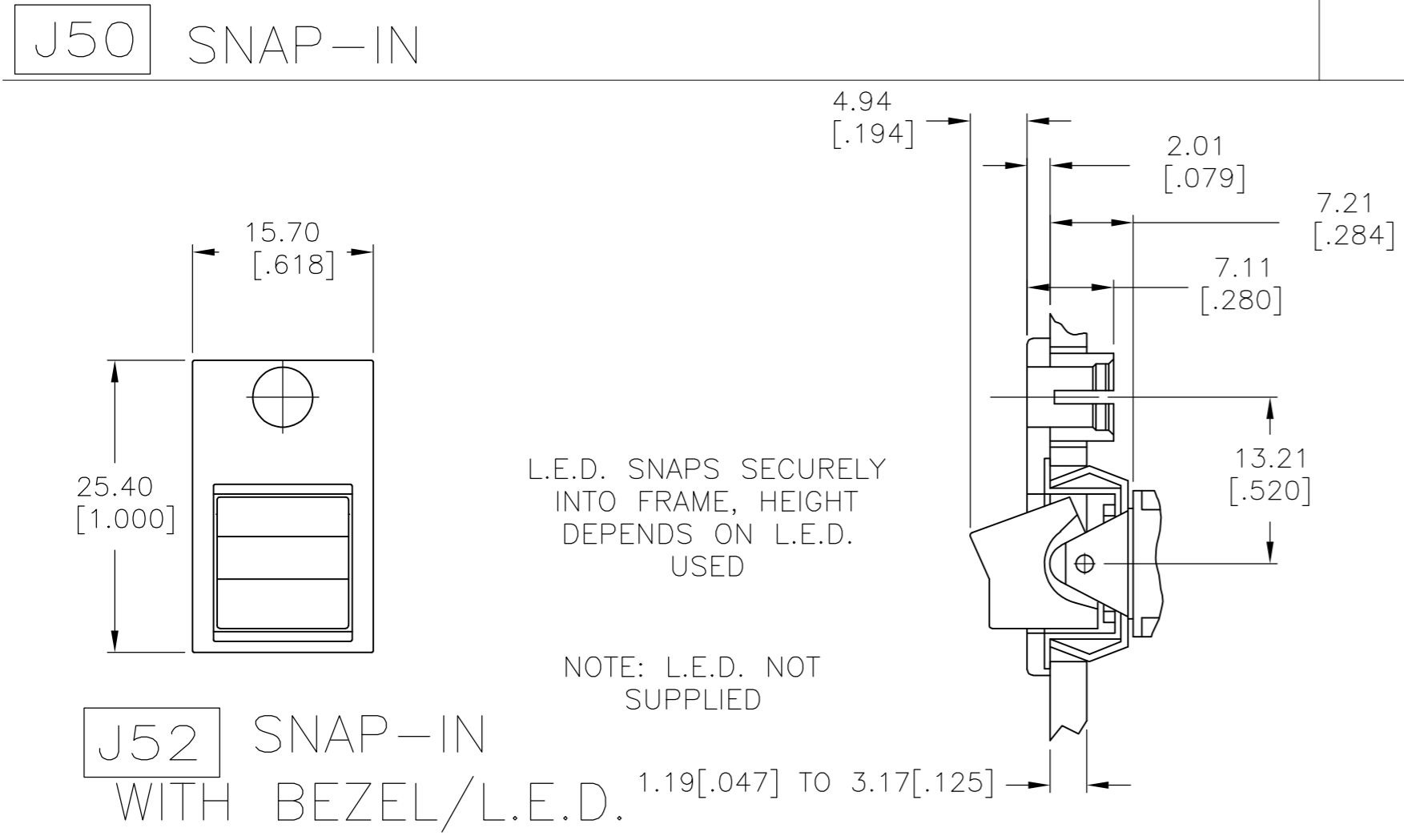
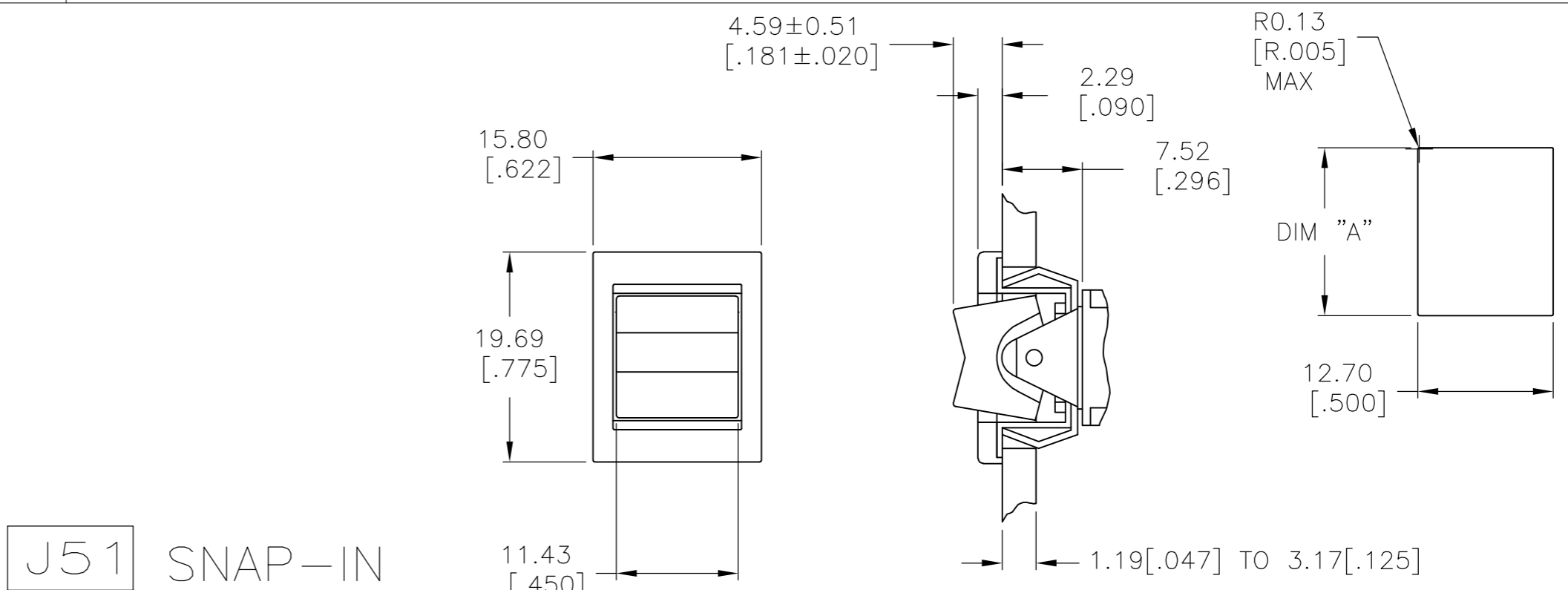
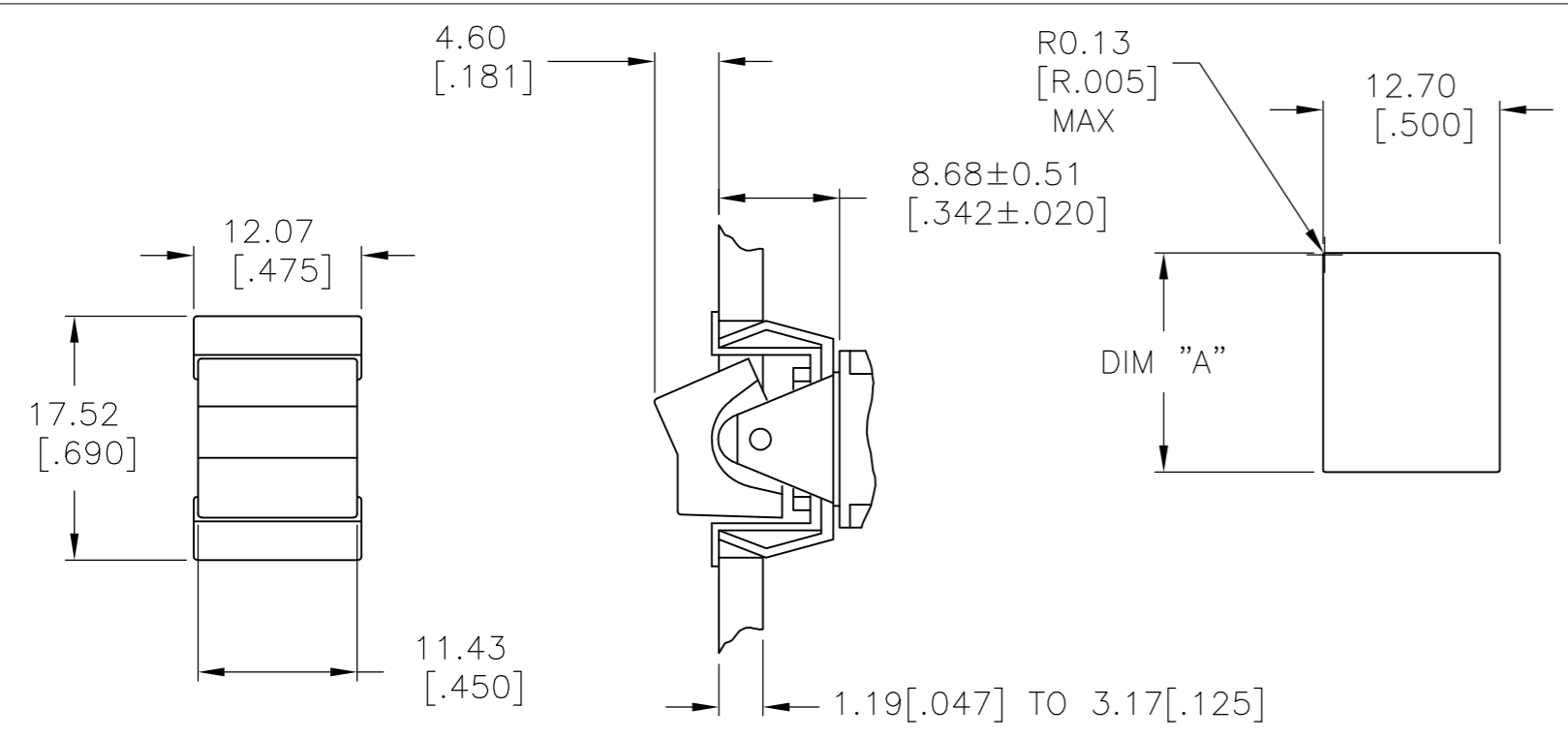
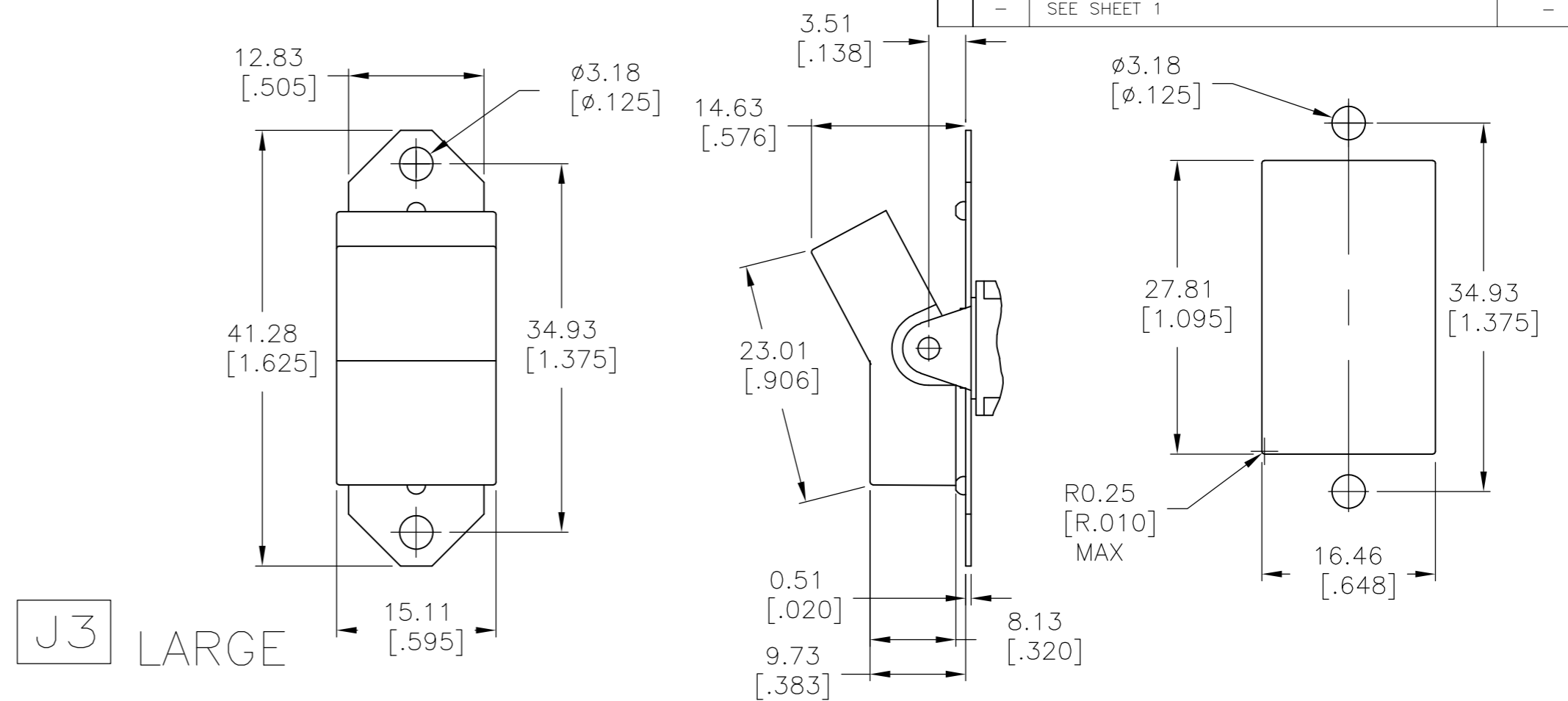
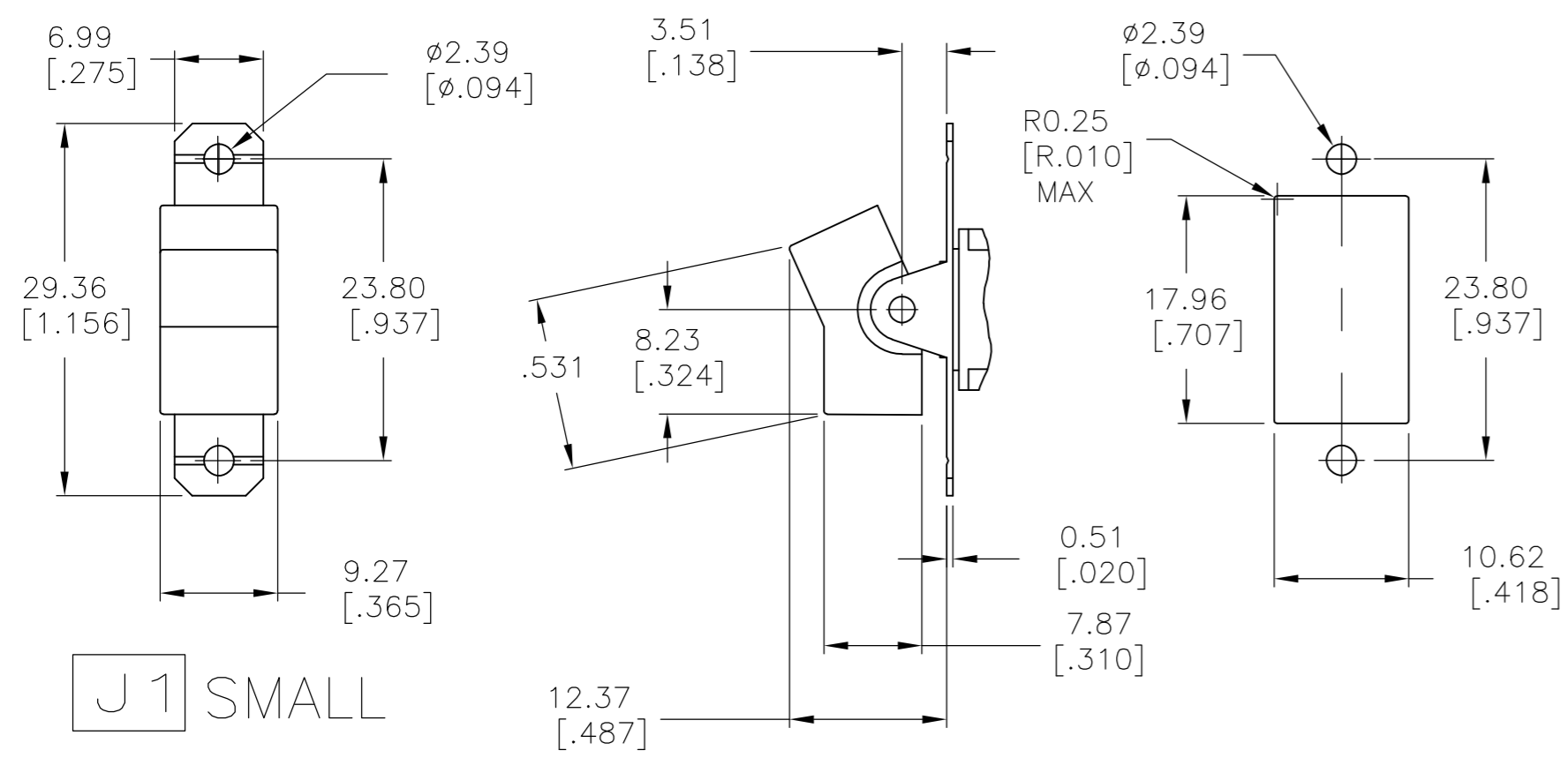
THIS DRAWING IS A CONTROLLED DOCUMENT.

| | | | |
|----------------------------|---|---|--|
| DIMENSIONS: mm [INCHES] | TOLERANCES UNLESS OTHERWISE SPECIFIED: 0 PLC ± - 1 PLC ± - 2 PLC ± - 3 PLC ± 0.25[0.01] 4 PLC ± - ANGLES ± 4° | DWN M.BINNER 06JAN05 CHK M.ZITTO 06JAN05 APVD M.ZITTO 06JAN05 PRODUCT SPEC APPLICATION SPEC | NAME GEMINI A SERIES ROCKER SWITCH SINGLE POLE |
| MATERIAL | FINISH | WEIGHT | SIZE A2 CAGE CODE 00779 DRAWING NO C=1571986 RESTRICTED TO |
| CUSTOMER DRAWING | | SCALE 2:1 | SHEET 1 of 5 REV A9 |

TE Connectivity

THIS DRAWING IS UNPUBLISHED. RELEASED FOR PUBLICATION
 © COPYRIGHT - By - ALL RIGHTS RESERVED.

| LOC | | DIST | | REVISIONS | | | |
|-----|----|------|-----|-------------|------|-----|------|
| AD | 00 | P | LTR | DESCRIPTION | DATE | DWN | APVD |
| | | | | SEE SHEET 1 | | | |

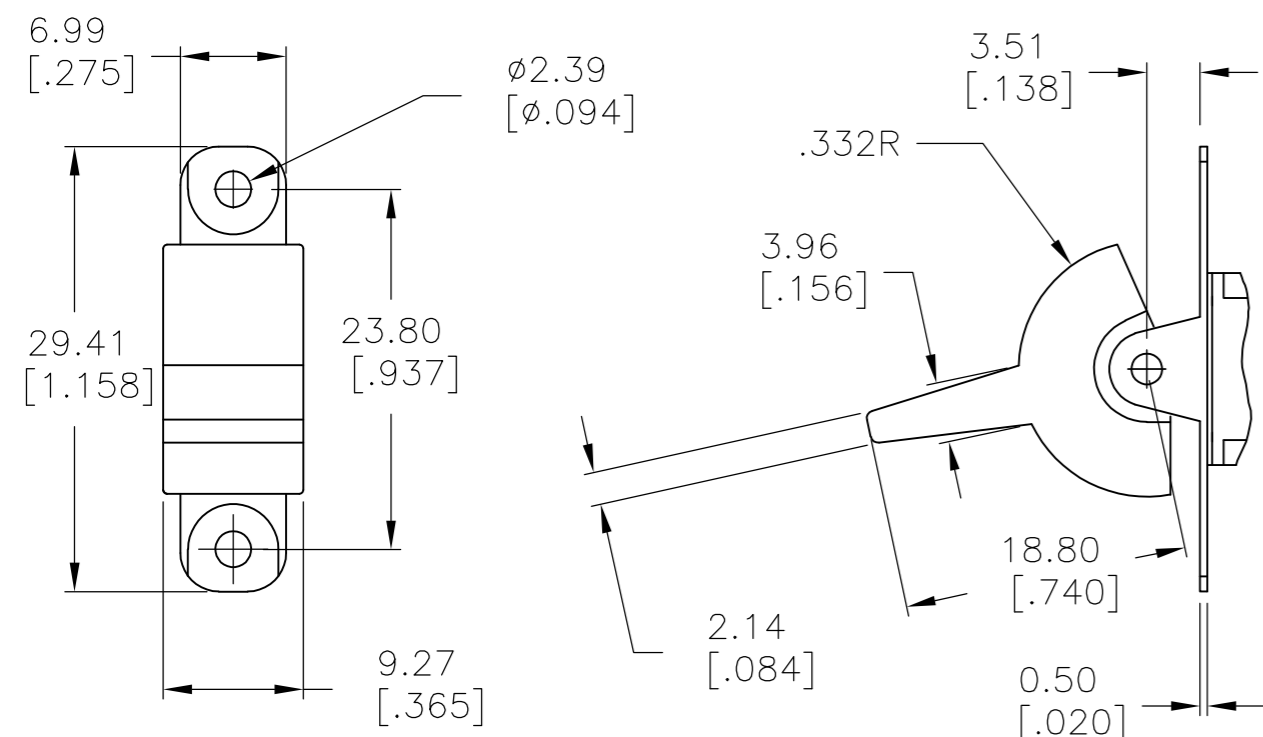


| | |
|-----------------------------|-------------------------------|
| 1.52 [0.060] - 3.17 [0.125] | 15.75 [0.620] - 15.87 [0.625] |
| 1.19 [0.047] - 1.50 [0.059] | 15.72 [0.619] |
| PANEL THICKNESS | DIM "A" |

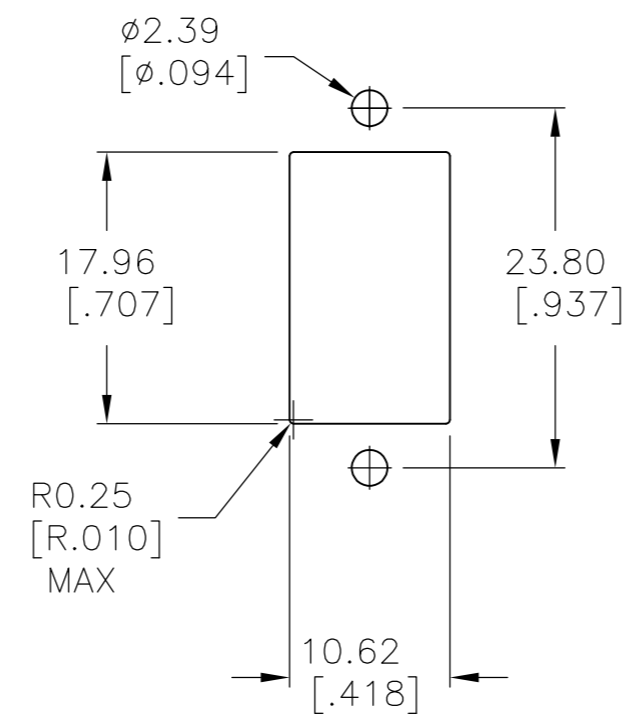
| | | | | |
|---|--------|------------------|---------|---|
| THIS DRAWING IS A CONTROLLED DOCUMENT. | | DWN | 06JAN05 | TE Connectivity |
| DIMENSIONS: mm [INCHES] | | CHK | 06JAN05 | |
| TOLERANCES UNLESS OTHERWISE SPECIFIED: | | APVD | 06JAN05 | |
| 0 PLC ± - 1 PLC ± - 2 PLC ± - 3 PLC ± 0.25[0.01] 4 PLC ± - ANGLES ± 4° | | PRODUCT SPEC | | |
| MATERIAL | FINISH | APPLICATION SPEC | | NAME |
| | | WEIGHT | | GEMINI A SERIES ROCKER SWITCH SINGLE POLE |
| | | CUSTOMER DRAWING | | SIZE |
| | | | | CAGE CODE |
| | | | | DRAWING NO |
| | | | | RESTRICTED TO |
| | | | | A2 00779 C=1571986 |
| | | | | SCALE |
| | | | | 2:1 |
| | | | | SHEET |
| | | | | 2 of 5 |
| | | | | REV |
| | | | | A9 |

THIS DRAWING IS UNPUBLISHED. RELEASED FOR PUBLICATION
 © COPYRIGHT - By - ALL RIGHTS RESERVED.

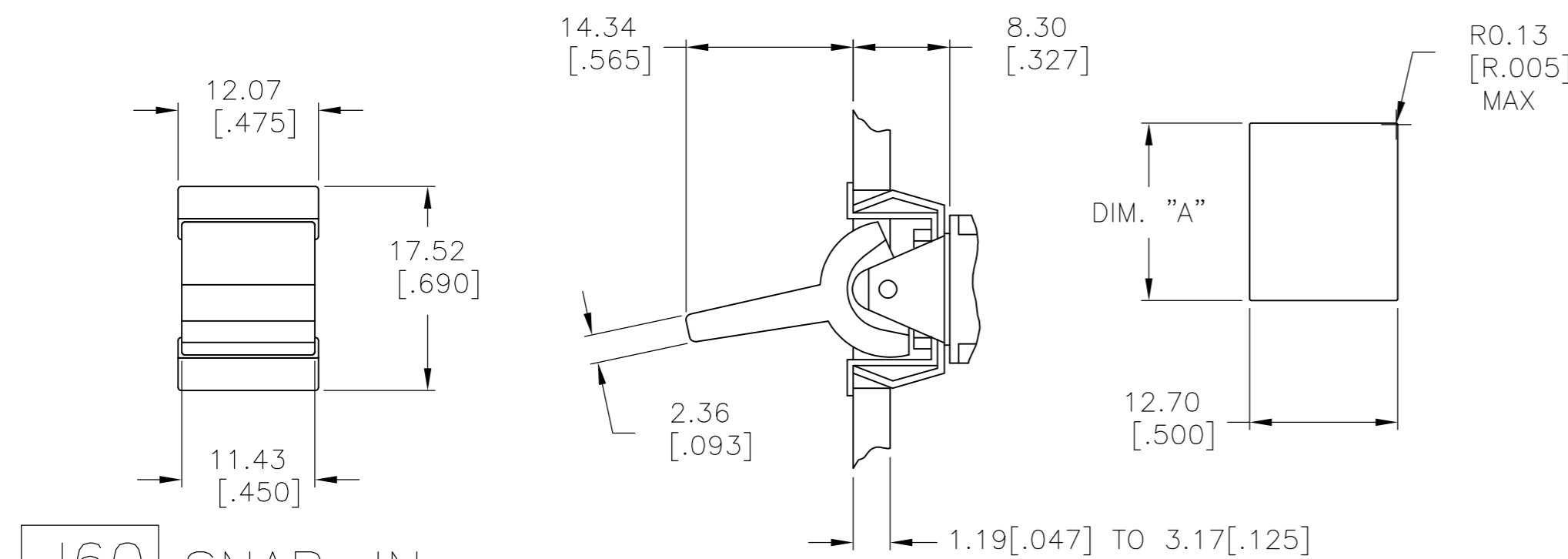
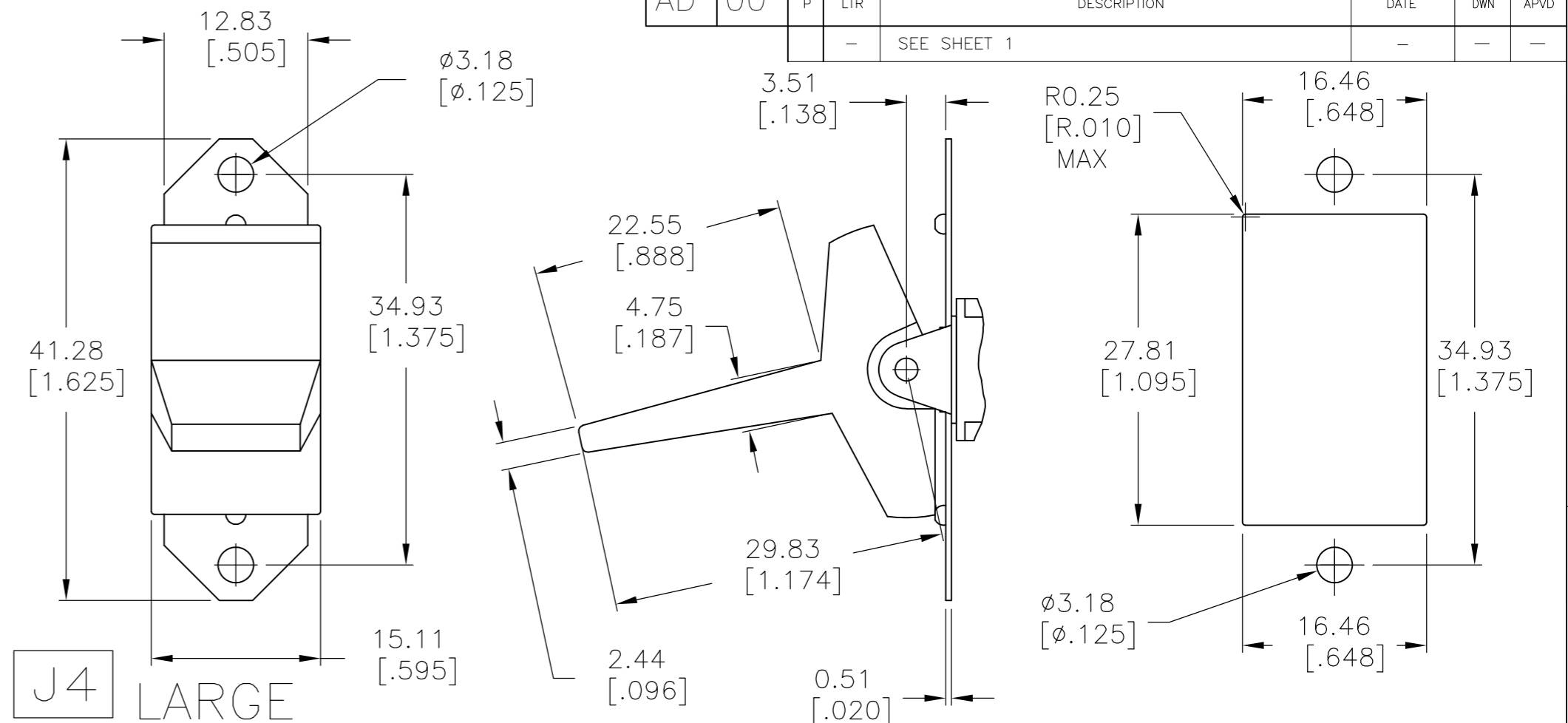
| | | | | | | | |
|-----|------|-----------|-----|-------------|------|-----|------|
| LOC | DIST | REVISIONS | | | | | |
| AD | 00 | P | LTR | DESCRIPTION | DATE | DWN | APVD |
| | | - | - | SEE SHEET 1 | - | - | - |



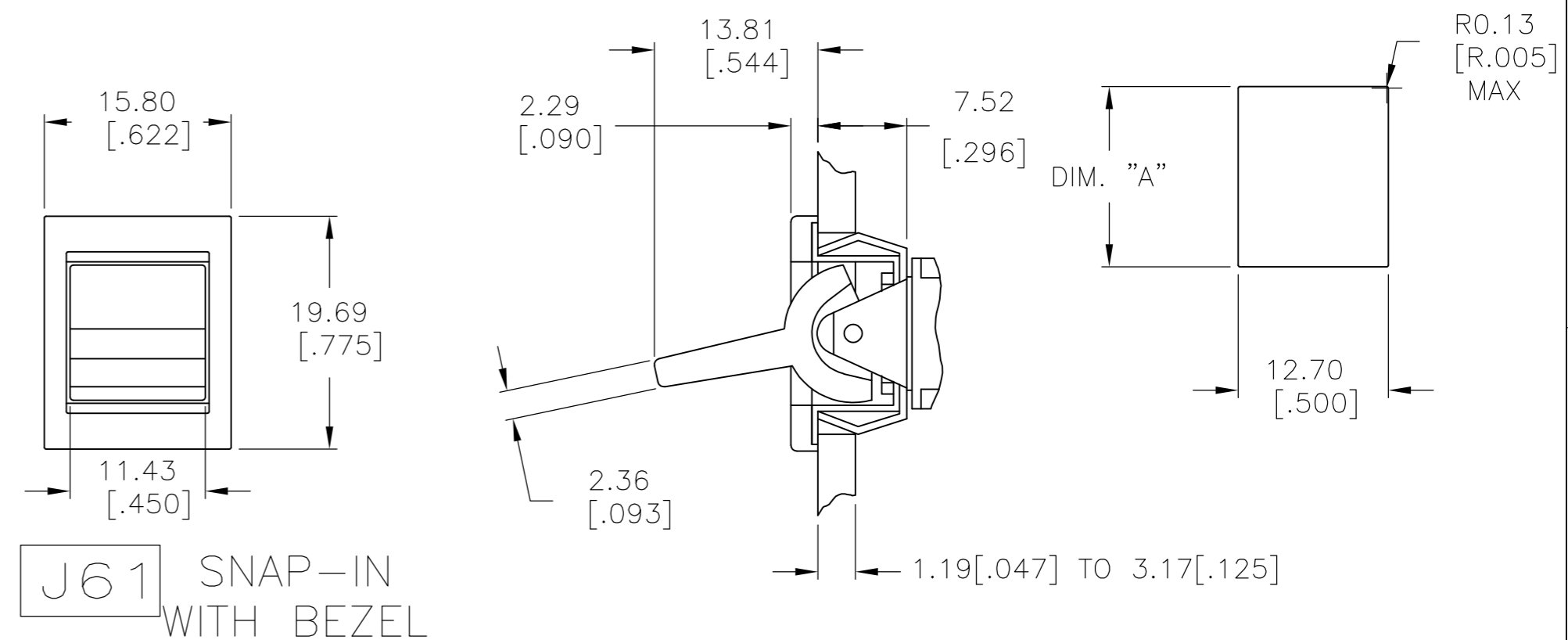
J2 SMALL



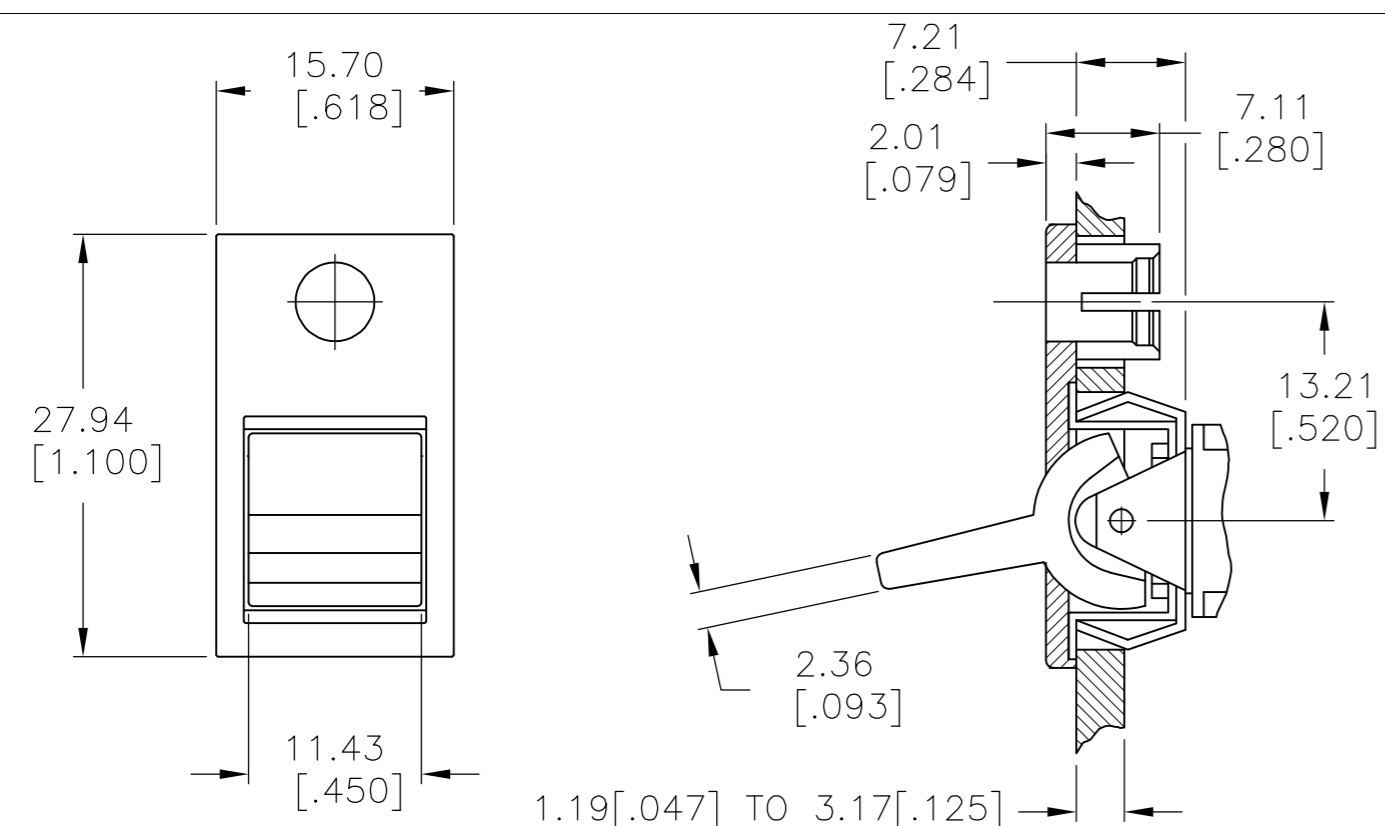
J4 LARGE



J60 SNAP-IN



J61 SNAP-IN WITH BEZEL



J62 SNAP-IN WITH BEZEL/L.E.D.

NOTE: L.E.D. NOT SUPPLIED

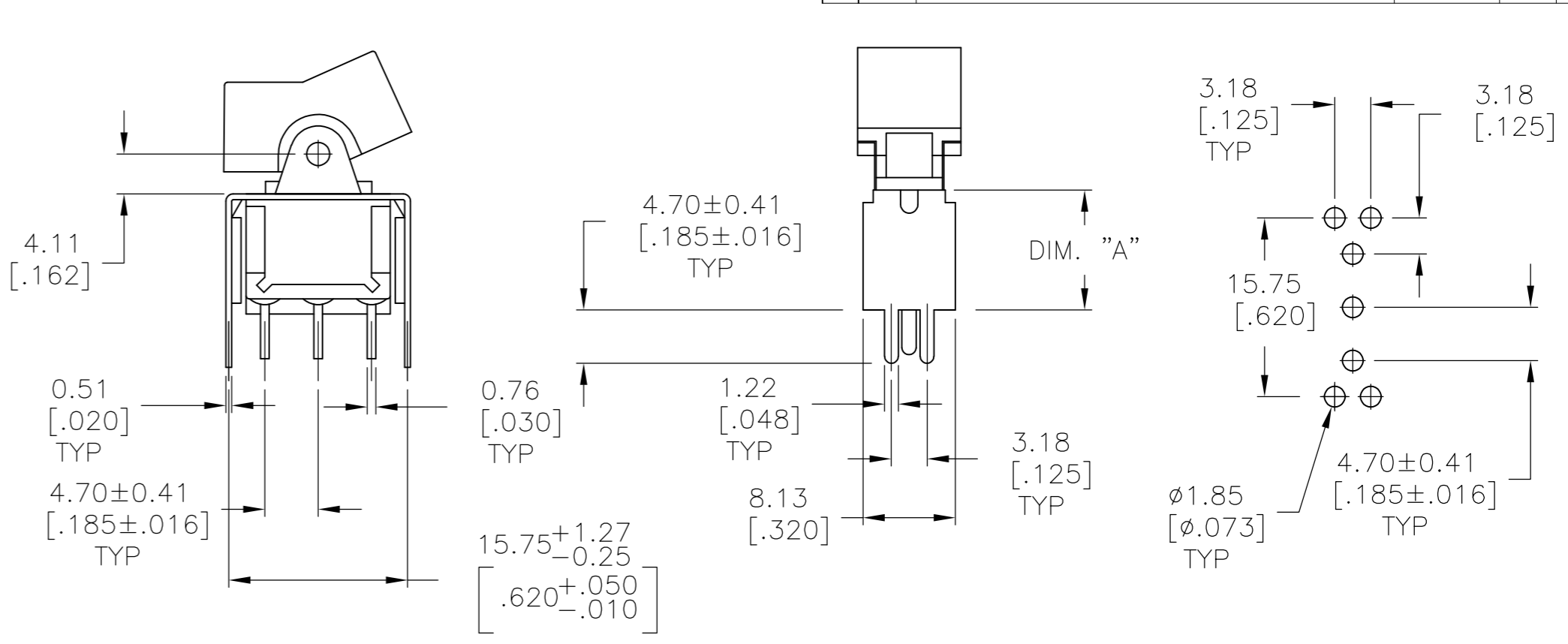
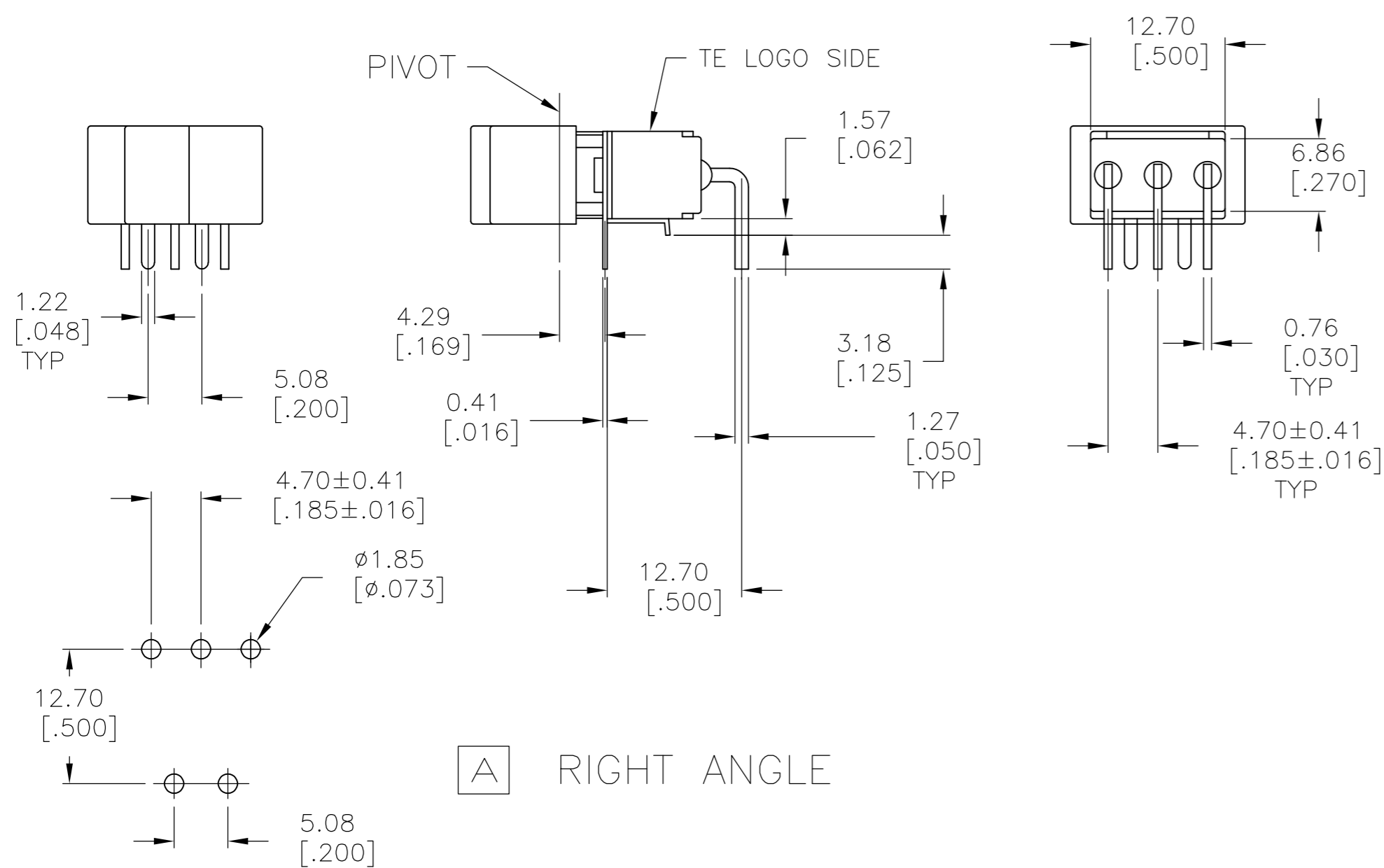
| | |
|---------------------------|-----------------------------|
| 1.52 [.060] - 3.17 [.125] | 15.75 [.620] - 15.87 [.625] |
| 1.19 [.047] - 1.50 [.059] | 15.72 [.619] |
| PANEL THICKNESS | DIM "A" |

| | | | | | |
|---|--------|------------------|---------|---------------|---|
| THIS DRAWING IS A CONTROLLED DOCUMENT. | | DWN | 06JAN05 | | TE Connectivity |
| DIMENSIONS: mm [INCHES] | | CHK | 06JAN05 | | |
| TOLERANCES UNLESS OTHERWISE SPECIFIED: | | APVD | 06JAN05 | | |
| 0 PLC ± - 1 PLC ± - 2 PLC ± - 3 PLC ± 0.25[0.01] 4 PLC ± - ANGLES ± 4° | | PRODUCT SPEC | | | |
| MATERIAL | FINISH | APPLICATION SPEC | | NAME | GEMINI A SERIES ROCKER SWITCH SINGLE POLE |
| | | WEIGHT | | SIZE | A2 |
| | | CUSTOMER DRAWING | | CAGE CODE | 00779 |
| | | | | DRAWING NO | 1571986 |
| | | | | RESTRICTED TO | - |
| | | SCALE | 2:1 | SHEET | 3 of 5 |
| | | | | REV | A9 |

1571986

THIS DRAWING IS UNPUBLISHED. RELEASED FOR PUBLICATION
 © COPYRIGHT - By - ALL RIGHTS RESERVED.

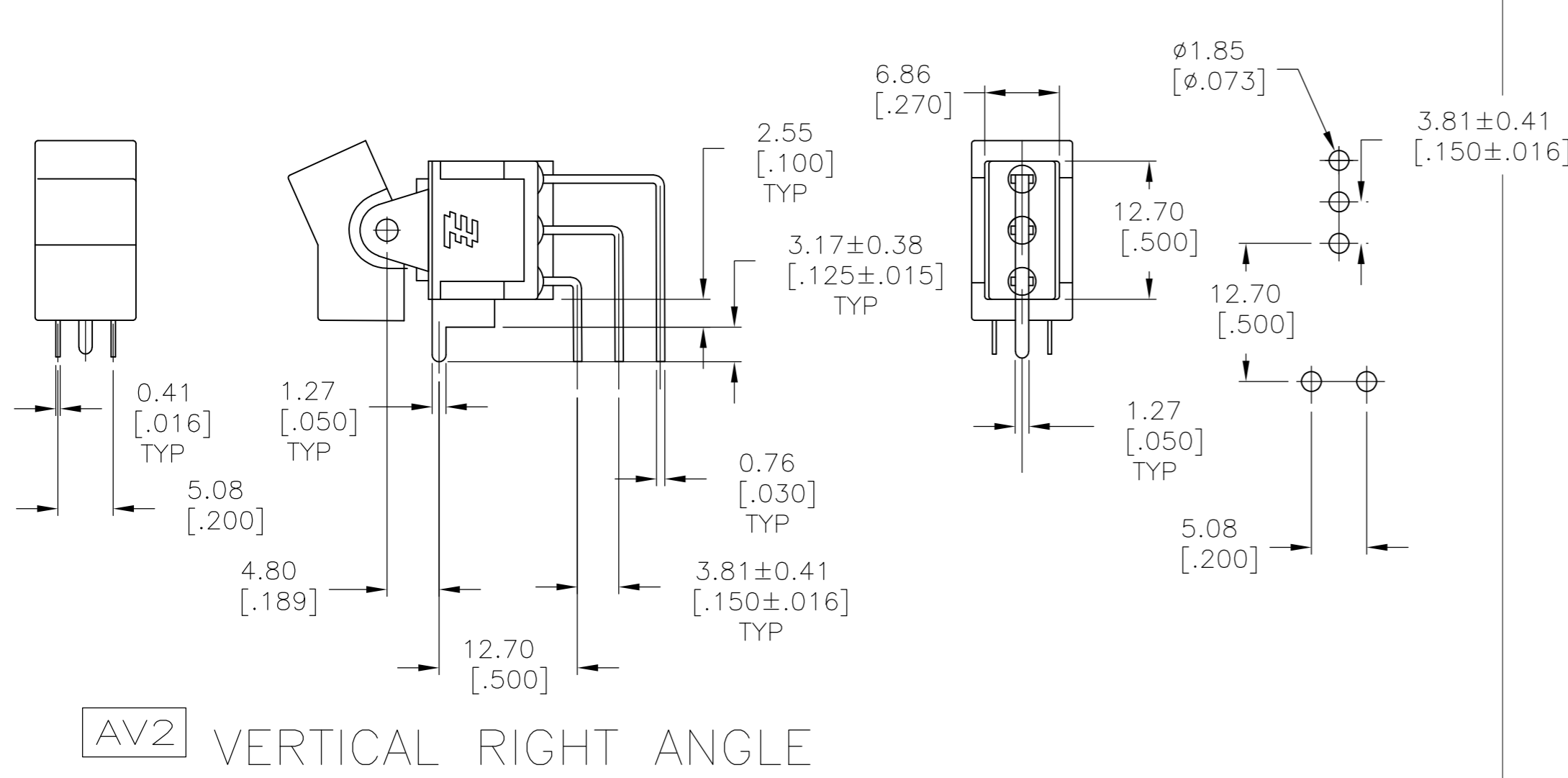
| LOC | DIST | REVISIONS | | | |
|-----|------|-------------|------|-----|------|
| P | LTR | DESCRIPTION | DATE | DWN | APVD |
| AD | 00 | SEE SHEET 1 | - | - | - |



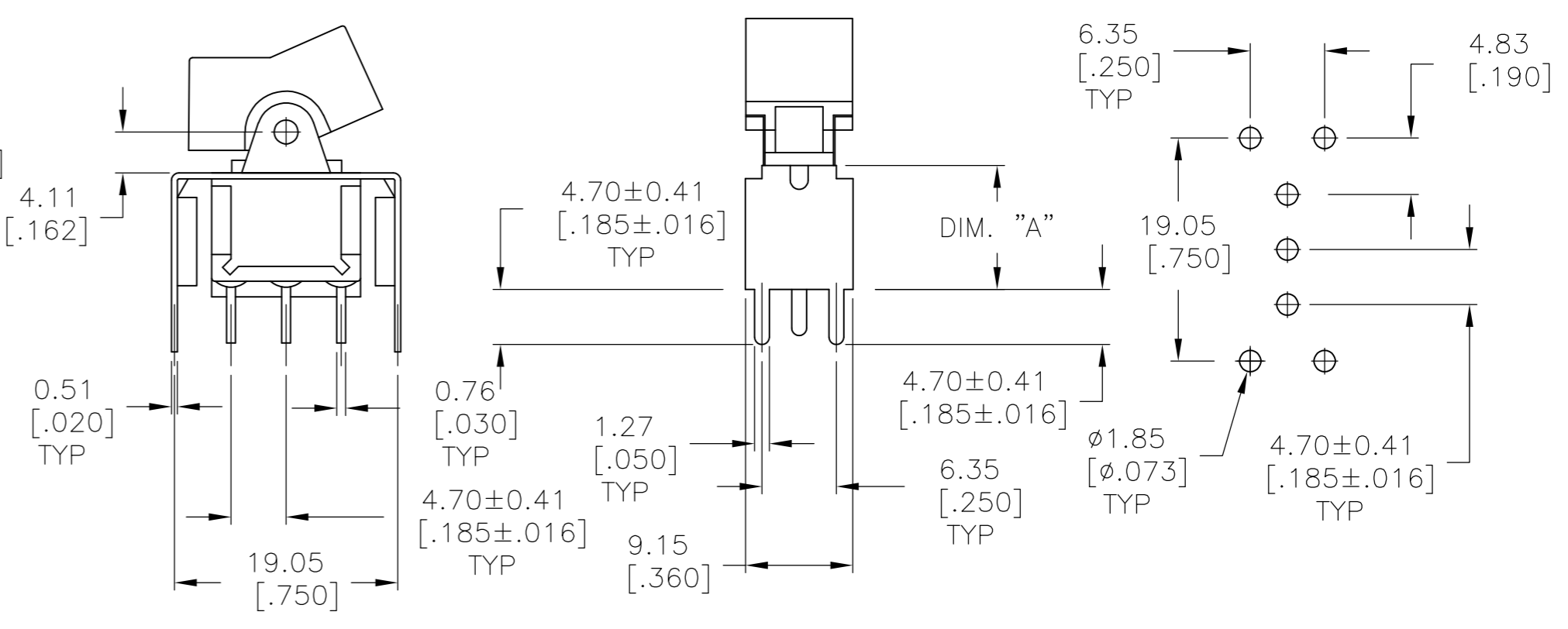
V3 V4

VERTICAL SUPPORT BRACKET

| OPTION CODE | DIM "A" |
|-------------|--------------|
| V3 | 11.68 [.460] |
| V4 | 16.00 [.630] |



AV2 VERTICAL RIGHT ANGLE



V6 V7

VERTICAL SUPPORT BRACKET

| OPTION CODE | DIM "A" |
|-------------|--------------|
| V6 | 11.68 [.460] |
| V7 | 16.00 [.630] |

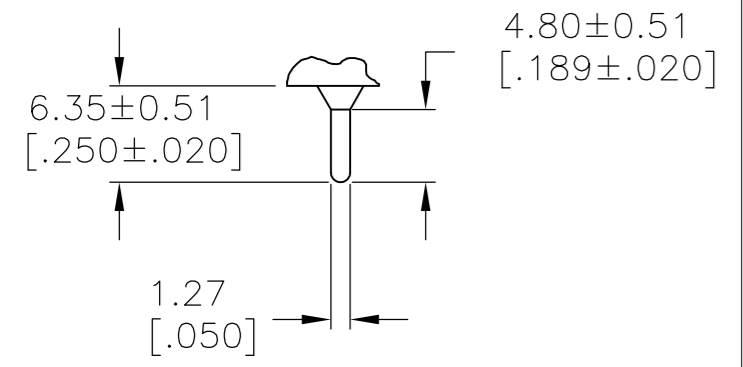
| | | | | | | |
|--|--|----------------------------|--|--------------------|-----------------------|---------------|
| THIS DRAWING IS A CONTROLLED DOCUMENT. | | DWN M.BINNER 06JAN05 | | | | |
| DIMENSIONS: mm [INCHES] | | CHK M.ZITTO 06JAN05 | | | | |
| TOLERANCES UNLESS OTHERWISE SPECIFIED: | | APVD M.ZITTO 06JAN05 | NAME GEMINI A SERIES ROCKER SWITCH SINGLE POLE | | | |
| 0 PLC ± - | | PRODUCT SPEC | SIZE A2 | CAGE CODE 00779 | DRAWING NO 1571986 | RESTRICTED TO |
| 1 PLC ± - | | APPLICATION SPEC | SCALE 2:1 | | SHEET 4 of 5 | REV A9 |
| 2 PLC ± - | | WEIGHT | CUSTOMER DRAWING | | | |
| 3 PLC ± 0.25[0.01] | | | | | | |
| 4 PLC ± - | | | | | | |
| ANGLES ± 4° | | | | | | |
| MATERIAL | | | | | | |
| FINISH | | | | | | |

THIS DRAWING IS UNPUBLISHED. RELEASED FOR PUBLICATION
 © COPYRIGHT - By - ALL RIGHTS RESERVED.

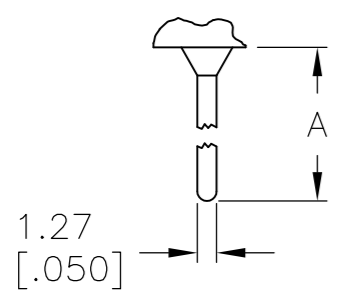
| LOC | DIST | REVISIONS | | | | | |
|-----|------|-----------|-----|-------------|------|-----|------|
| AD | 00 | P | LTR | DESCRIPTION | DATE | DWN | APVD |
| | | - | | SEE SHEET 1 | - | - | - |

MATERIALS CHART

| COMPONENT NAME | BASE MATERIAL | FINISH |
|--------------------------|---|------------------------|
| CASE | DAP, 30-40% GF, RED, UL94 V-0, COSMIC D72/6120F | |
| FRAME | 304 STAINLESS STEEL | |
| B TERMINALS & CONTACTS | C194 COPPER | GOLD OVER NICKEL |
| G TERMINALS & CONTACTS | C194 COPPER | GOLD OVER SILVER |
| Q TERMINALS & CONTACTS | C194 COPPER | SILVER |
| ACTUATOR | PHENOLIC, BLACK, UL94 V-1 | |
| ROCKER CAP | NYLON, BLACK, UL94 V-1, NYTEX MG-2012N | |
| BUSHING & ACTUATOR LEVER | ZINC ALLOY K2 | .000100-.000150 NICKEL |
| SPRING | MUSIC WIRE | |
| SUPPORT BRACKET | C2680H BRASS | TIN |
| PIVOT PIN | STEEL | NICKEL |
| TERMINAL SEAL | EPOXY, UL94 V-1, BOOM HOUSE S-9001A | |

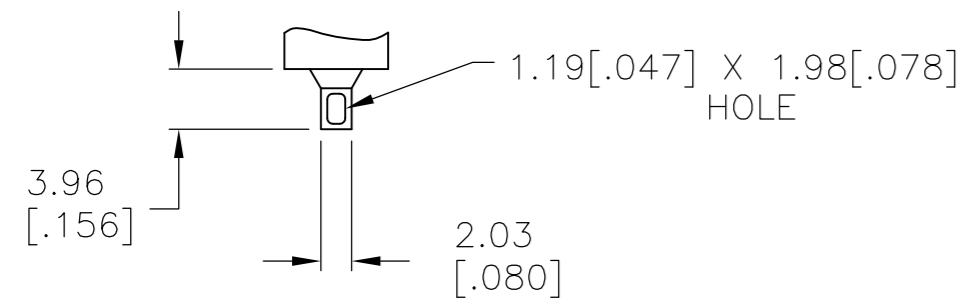


PRINTED CIRCUIT

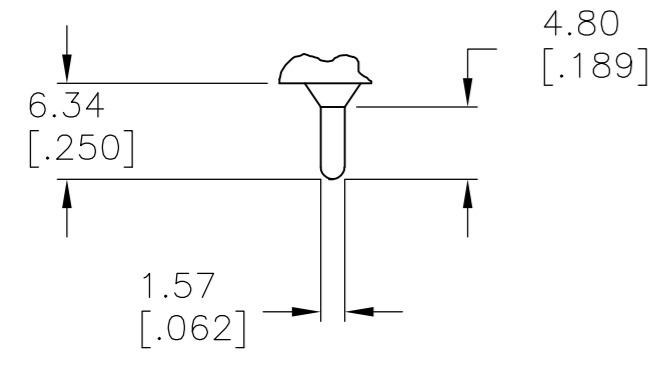


| OPTION | DIM A |
|--------|---------------|
| W | 18.69 [.736] |
| W4 | 26.97 [1.062] |

W W4 WIRE WRAP



WIRE LUG



QUICK CONNECT

| | | |
|---|------------------|-------------|
| 9 | A101J1AV2Q004AM9 | 7-1571986-4 |
| 8 | A101J1AV2Q004AM8 | 7-1571986-3 |
| 7 | A101J1AV2Q004AM | 7-1571986-2 |
| | A108J61ZQ0004 | 7-1571986-0 |
| | A108J51ZQ0004 | 6-1571986-9 |
| | A108J1ZQ004 | 6-1571986-8 |
| | A108J1V3Q004 | 6-1571986-7 |
| | A107J61ZQ0004 | 6-1571986-6 |
| | A107J51ZQ0004 | 6-1571986-5 |
| | A105J61ZQ0004 | 6-1571986-4 |
| | A105J61ZG0004 | 6-1571986-3 |
| | A105J52ZQ2004 | 6-1571986-2 |
| | A105J51ZQ0004 | 6-1571986-1 |
| | A105J4ZQ004 | 6-1571986-0 |
| | A105J3ZQ004 | 5-1571986-9 |
| | A105J3CQ2004 | 5-1571986-8 |
| | A105J3CQ004 | 5-1571986-7 |
| | A105J2ZQ004 | 5-1571986-6 |
| | A105J2AV2Q004 | 5-1571986-5 |
| | A105J2AQ004 | 5-1571986-4 |
| | A105J1ZQ004 | 5-1571986-3 |
| | A105J1V3B004 | 5-1571986-2 |
| | A105J1CQ004 | 5-1571986-1 |
| | ALCO P/N | P/N |

| | | | |
|----------|-------------|----------|-----|
| 7 | PRELIMINARY | ALCO P/N | P/N |
|----------|-------------|----------|-----|

| | |
|----------------|-------------|
| A105J1AV2Q004 | 5-1571986-0 |
| A105J1AQ004 | 4-1571986-9 |
| NOT ASSIGNED | 4-1571986-8 |
| NOT ASSIGNED | 4-1571986-7 |
| A103J61ZQ0004 | 4-1571986-6 |
| A103J51ZQ0004 | 4-1571986-5 |
| A103J3ZQ004 | 4-1571986-4 |
| A103J2ZQ004 | 4-1571986-3 |
| A103J2CB004 | 4-1571986-2 |
| A103J1ZQ004 | 4-1571986-1 |
| A103J1V3Q004 | 4-1571986-0 |
| A103J1AV2Q004 | 3-1571986-9 |
| A103J1AV2B004 | 3-1571986-8 |
| NOT ASSIGNED | 3-1571986-7 |
| A101J61ZQ0004 | 3-1571986-6 |
| A101J51ZQ2004 | 3-1571986-5 |
| A101J51ZQ0004 | 3-1571986-4 |
| A101J51ZB0004 | 3-1571986-3 |
| NOT ASSIGNED | 3-1571986-2 |
| A101J51Z3Q0004 | 3-1571986-1 |
| A101J51Z3G0004 | 3-1571986-0 |
| A101J51CB0004 | 2-1571986-9 |
| A101J50ZQ004 | 2-1571986-8 |
| A101J50V3Q204 | 2-1571986-7 |
| A101J50V3Q004 | 2-1571986-6 |
| A101J50AV2Q004 | 2-1571986-5 |
| A101J4ZQ804 | 2-1571986-4 |
| A101J4ZQ004 | 2-1571986-3 |
| A101J3ZQ004 | 2-1571986-2 |
| A101J3V3Q204 | 2-1571986-1 |
| A101J2ZQ004 | 2-1571986-0 |
| A101J2ZB904 | 1-1571986-9 |
| A101J2AV2Q004 | 1-1571986-8 |
| A101J1ZQ004 | 1-1571986-7 |
| A101J1ZB004 | 1-1571986-6 |
| A101J1V3Q004 | 1-1571986-5 |
| A101J1V3B004 | 1-1571986-4 |
| A101J1CQ004 | 1-1571986-3 |
| A101J1CG004 | 1-1571986-2 |
| A101J1AV2Q004 | 1-1571986-1 |
| A101J1AV2B004 | 1-1571986-0 |
| A101J1AQ204 | 1571986-9 |
| A101J1AQ004 | 1571986-8 |
| A101J1AB004 | 1571986-7 |
| NOT ASSIGNED | 1571986-6 |
| NOT ASSIGNED | 1571986-5 |
| NOT ASSIGNED | 1571986-4 |
| NOT ASSIGNED | 1571986-3 |
| NOT ASSIGNED | 1571986-2 |
| A101J1AB004 | 1571986-1 |

| | | | | |
|--|--|----------------------------|---|--------------------|
| THIS DRAWING IS A CONTROLLED DOCUMENT. | | DWN M.BINNER 06JAN05 | TE Connectivity | |
| DIMENSIONS: mm [INCHES] | | CHK M.ZITTO 06JAN05 | | |
| TOLERANCES UNLESS OTHERWISE SPECIFIED: | | APVD M.ZITTO 06JAN05 | NAME GEMINI A SERIES ROCKER SWITCH SINGLE POLE | |
| 0 PLC ± - 1 PLC ± - 2 PLC ± - 3 PLC ± 0.25[0.01] 4 PLC ± - 4° ANGLES ± 4° | | PRODUCT SPEC | RESTRICTED TO | |
| MATERIAL | | APPLICATION SPEC | SIZE A2 | CAGE CODE 00779 |
| FINISH | | WEIGHT | DRAWING NO 1571986 | REV A9 |
| | | CUSTOMER DRAWING | SCALE 2:1 | SHEET 5 of 5 |